



**Holden/Chevrolet Colorado / Trailblazer MY16+ with Electric Steering
Engine Type: 2.8L Duramax Diesel**

Part Number: UBP057

UNDERBODY PROTECTION:

These protection plates have been designed for installation for the intended application only. They should be mounted according to these installation instructions by an experienced Ironman 4x4 dealer or certified fitter. The plates are fixed to original vehicle mountings located on the vehicle's structural elements.

Upon successful installation the plate should not interfere with any other parts or components.

Ironman 4x4 recommend the use of a floor or transmission jack to assist with the installation of underbody protection plates.

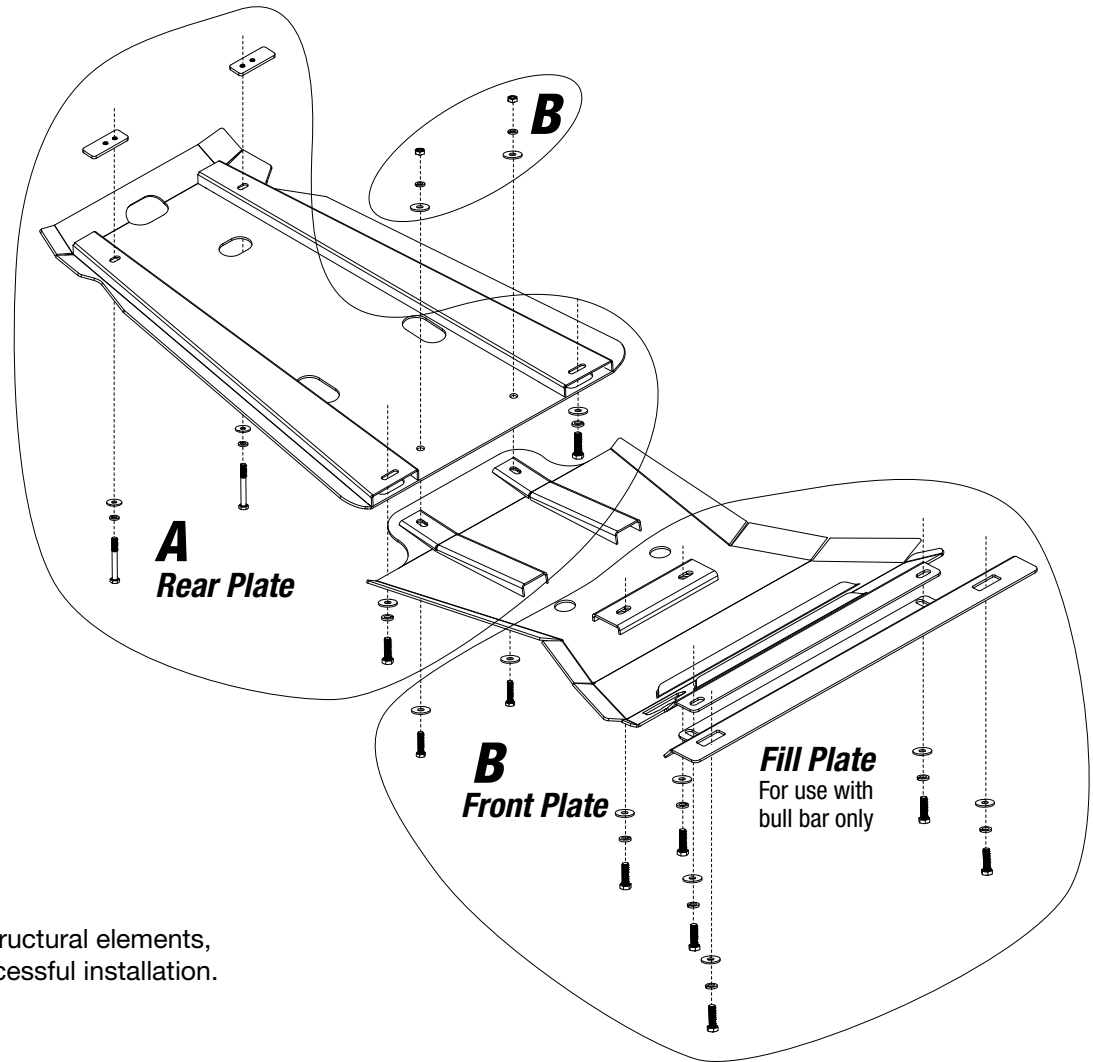
INSTALLATION:

1. Remove original protection plates.
2. Position Rear Plate and loosely thread all fasteners into place before tensioning. Refer illustration.
3. Position Front Plate and loosely thread fasteners into middle mounting holes and fasteners that join the front and rear plates.
4. Position Fill Plate and loosely thread all fasteners.
5. Once all plates are in place and aligned, tighten fasteners to specified tension.

WARRANTY: 2 years.

WARRANTY TERMS:

The plate should only be installed on a vehicle with undamaged body and structural elements, vehicles which have been involved in a significant collision may prevent successful installation.



Thread:	M8x1.25	M10x1.25
Tightening Torque:	24.0Nm	52.0Nm

