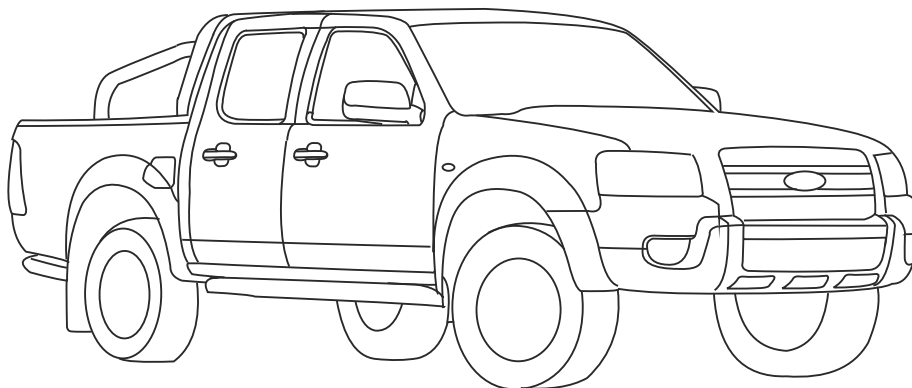
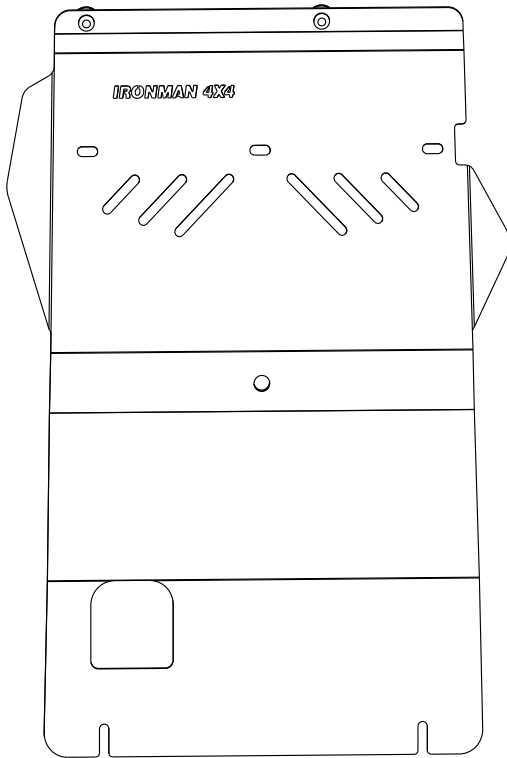




Installation Instructions for IUP008E

Underbody Protection Plate

Engine Bay



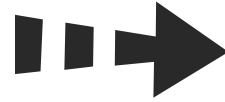
To Suit Ford Ranger 2007- 2011

IUP008E

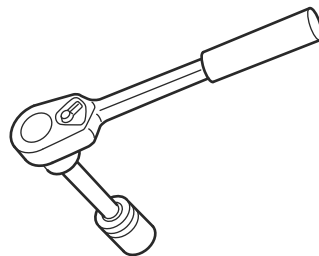
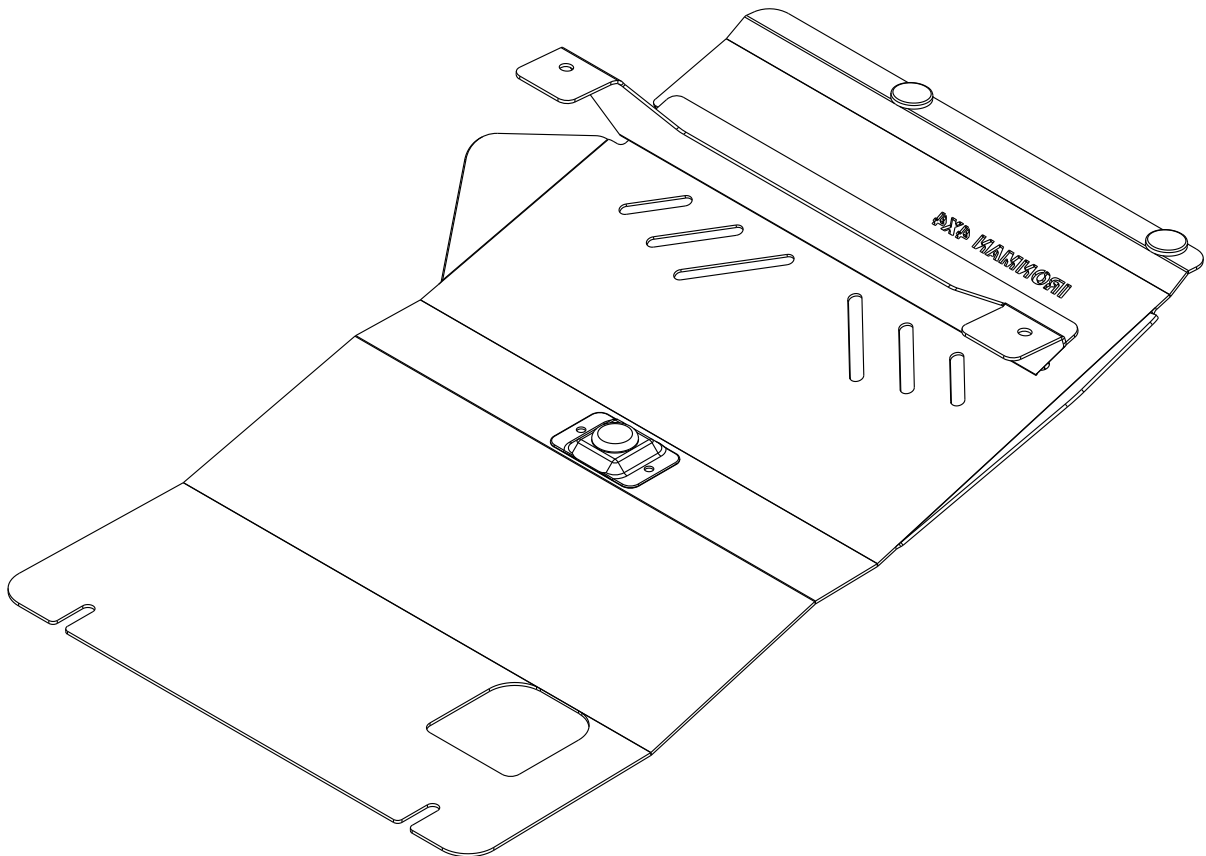
1/6



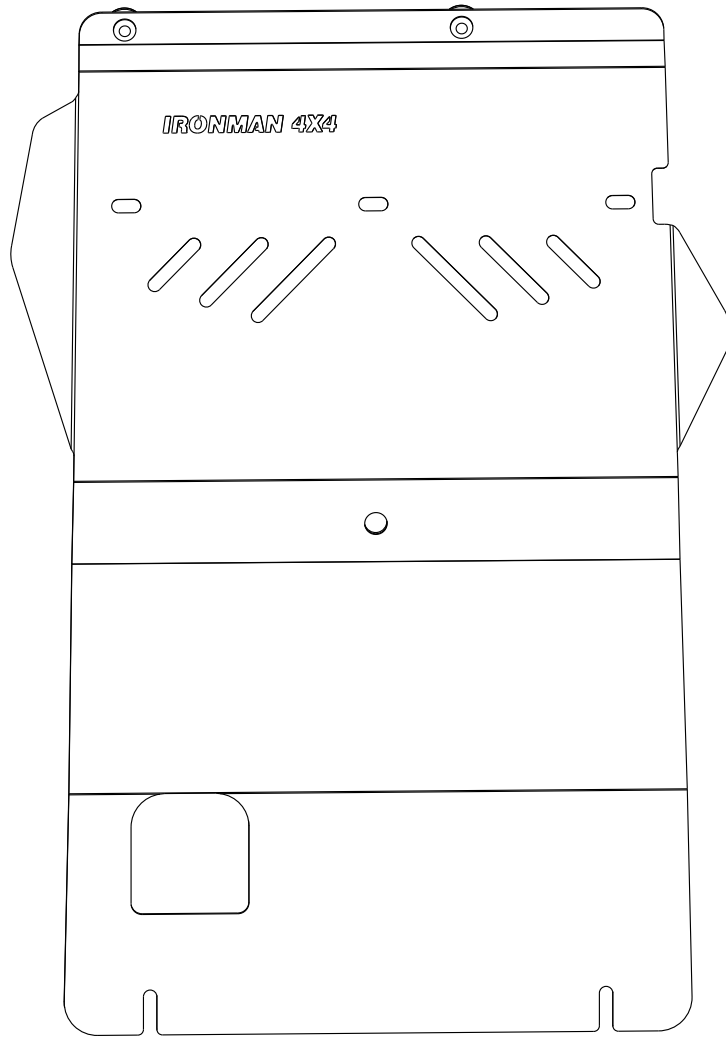
Location/Position Arrow



Movement Arrow

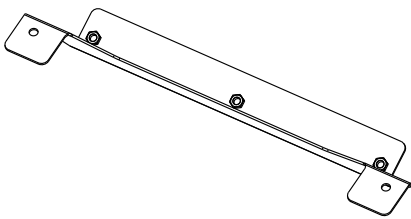


A



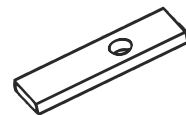
1X

B



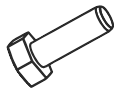
1X

C



2X

D



2X M10x30

E



3X M10x20

F

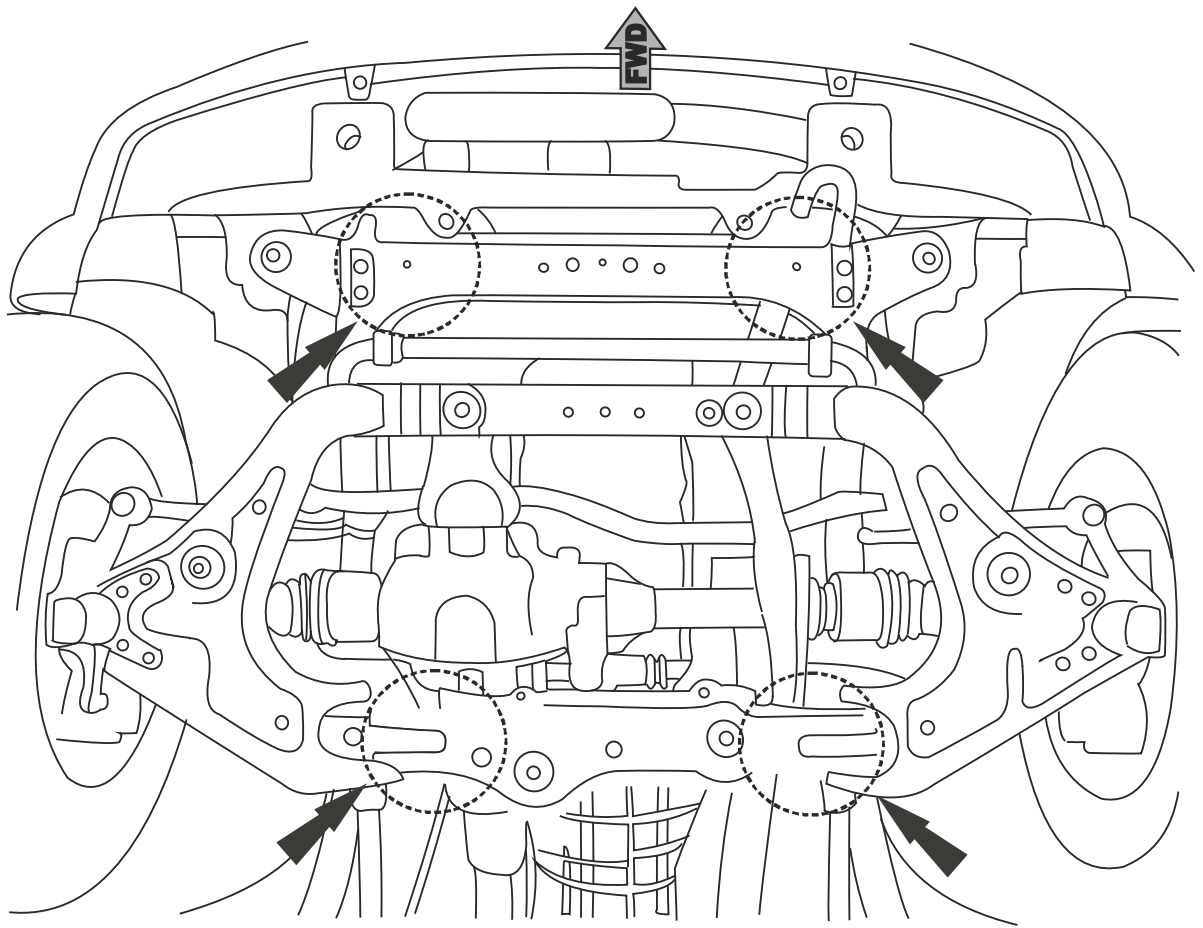


5X \varnothing 10

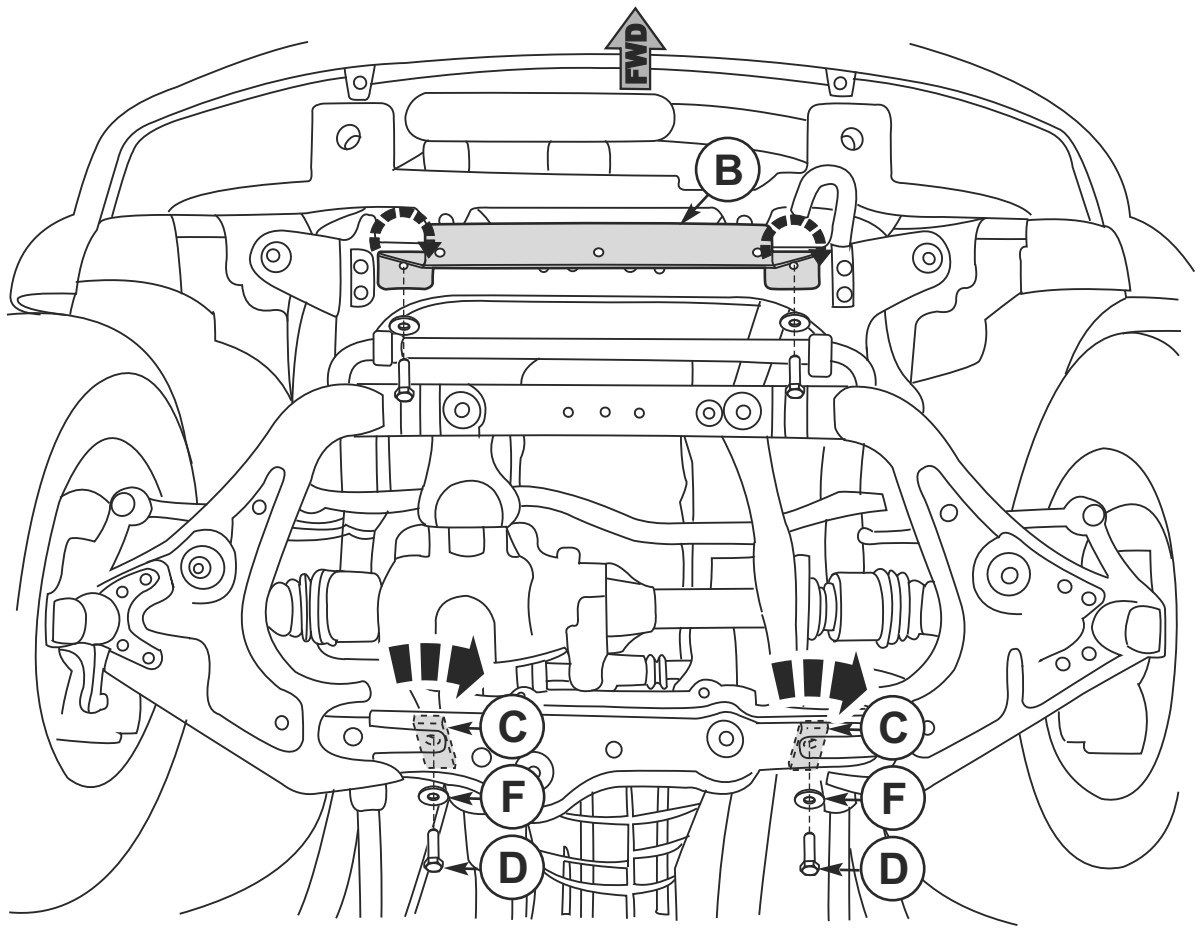


IUP008E

3/6



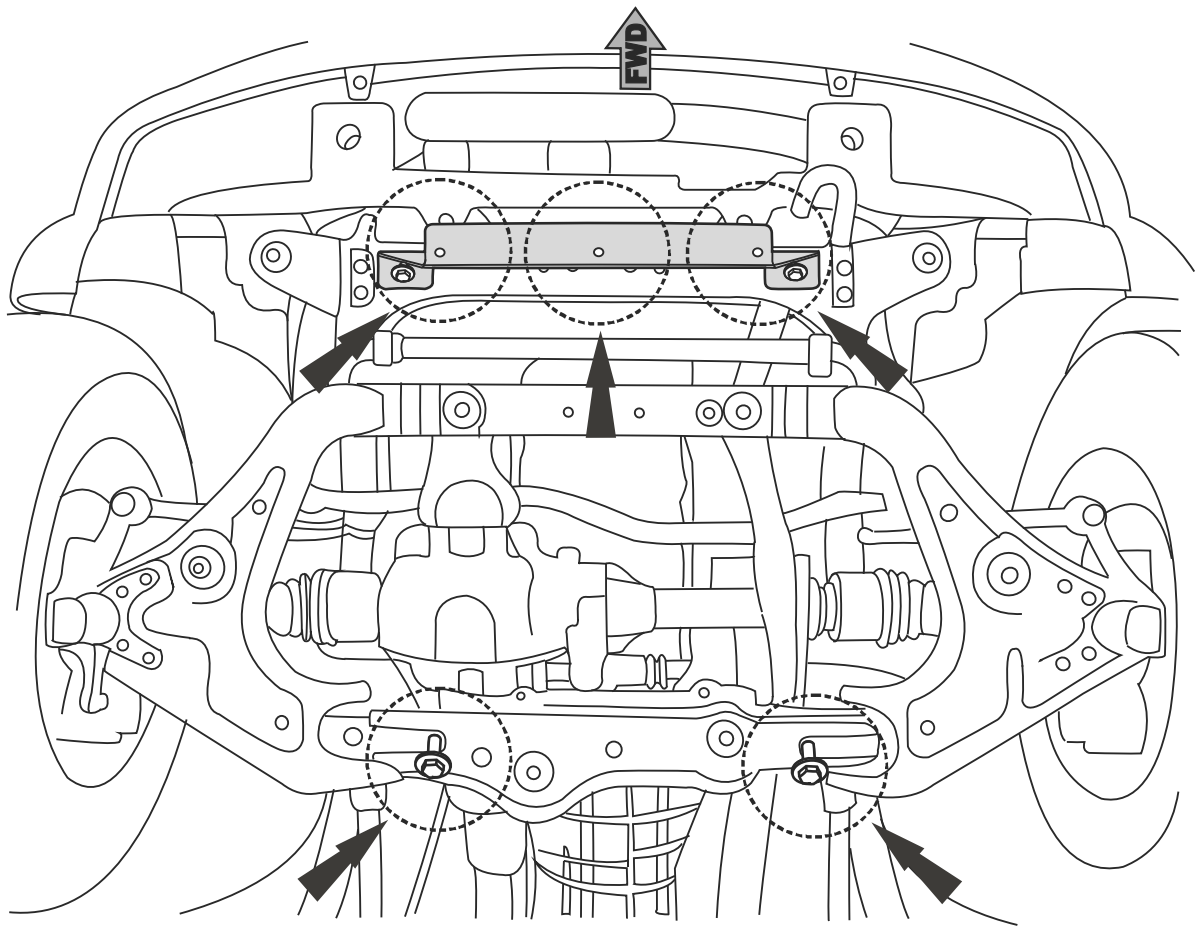
1



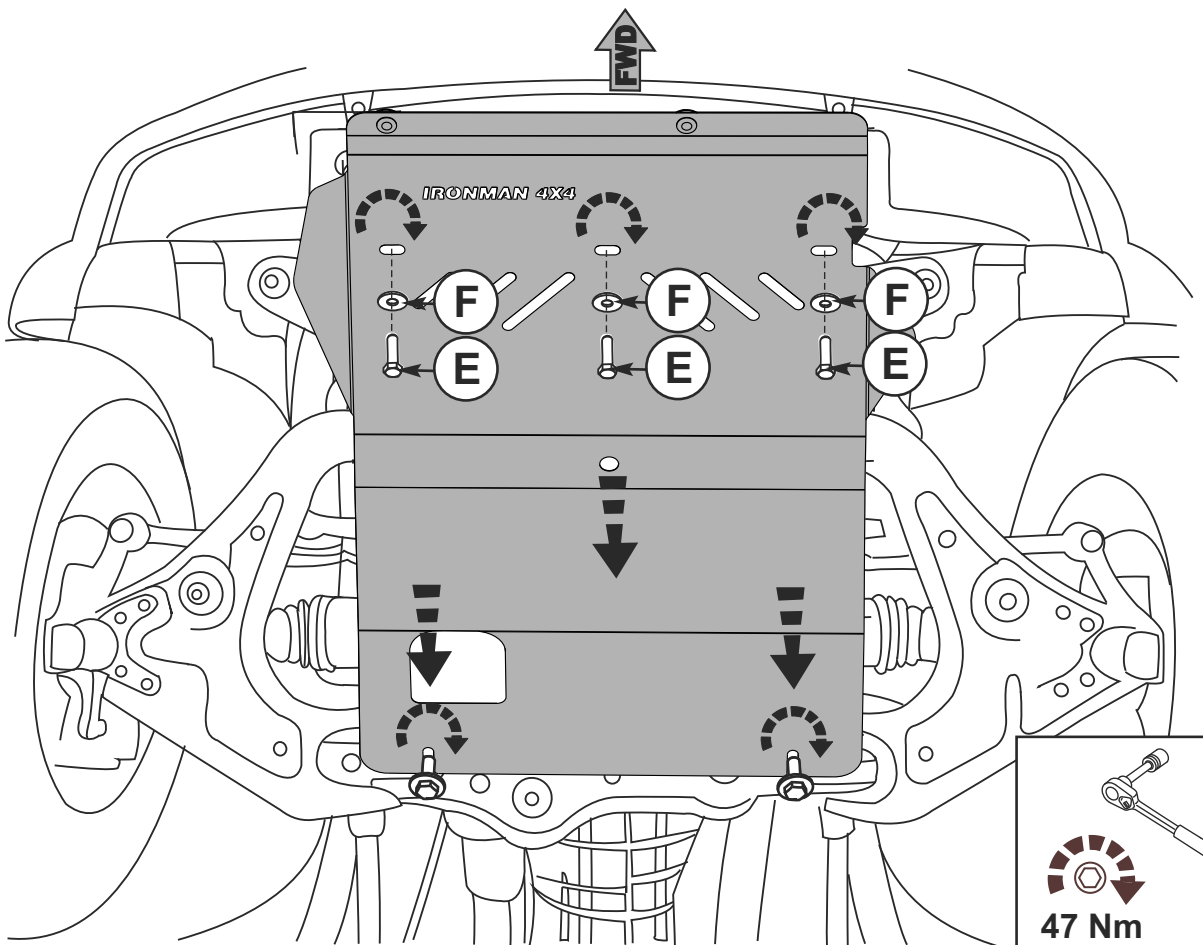
2



IUP008E



3



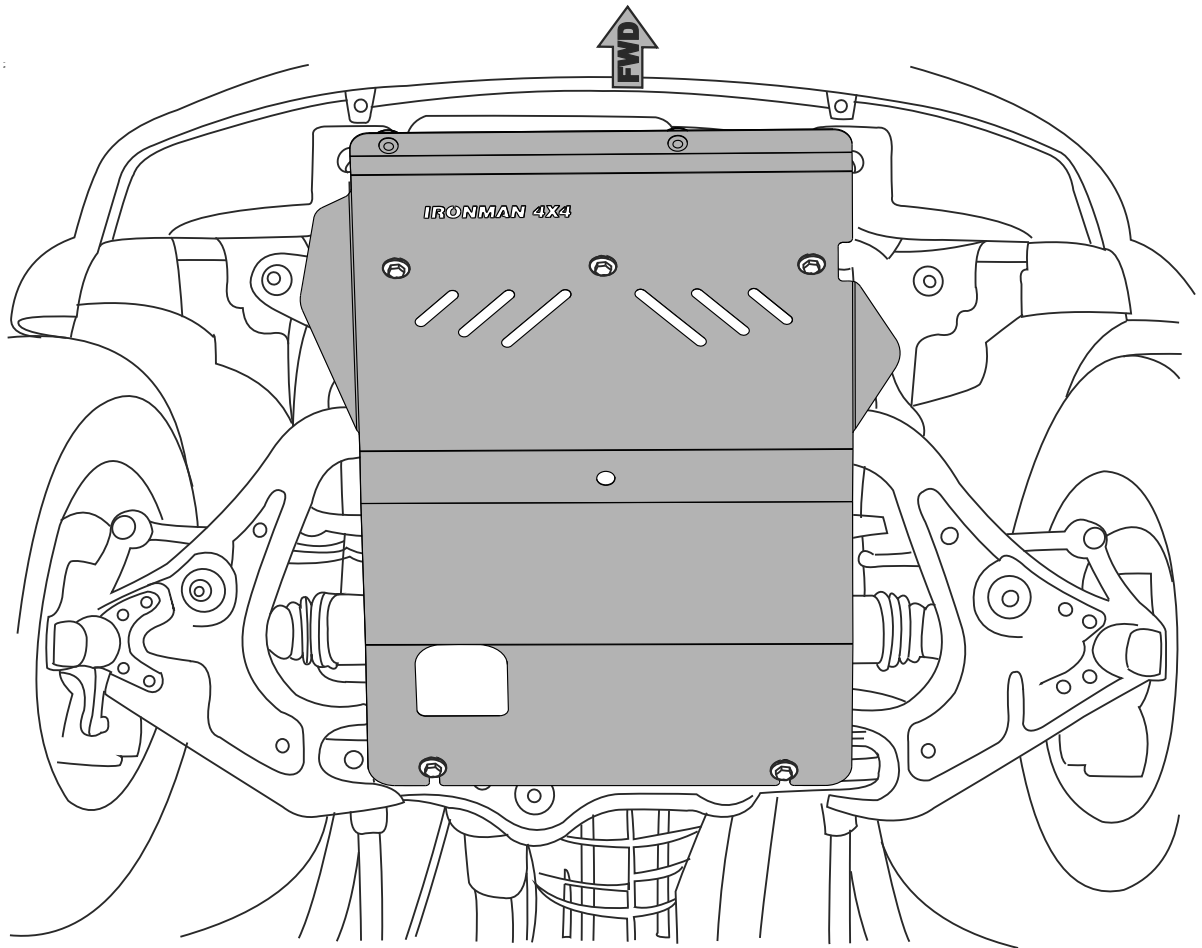
4

47 Nm



IUP008E

5/6



5

www.ironman4x4.com



IUP008E

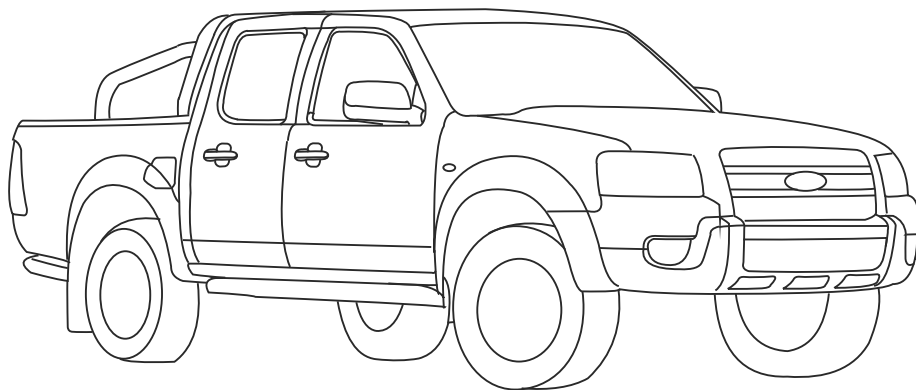
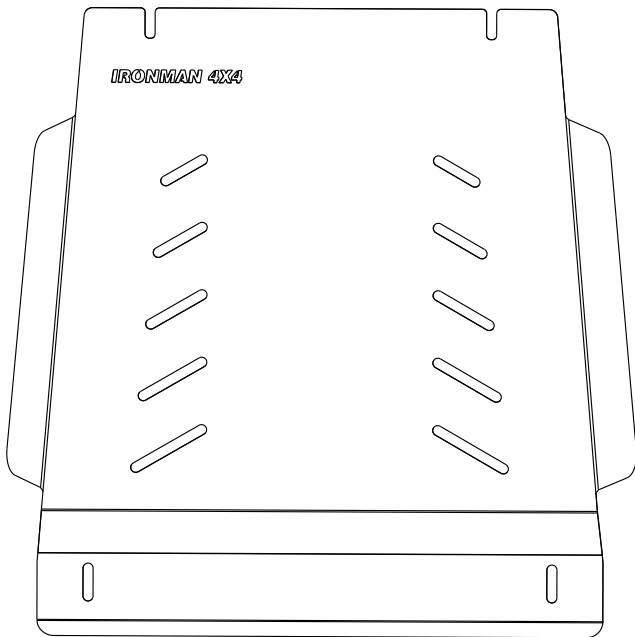
6/6



Installation Instructions for IUP008T

Underbody Protection Plate

Transmission



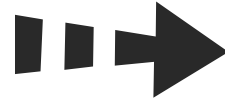
To Suit Ford Ranger 2007- 2011

IUP008T

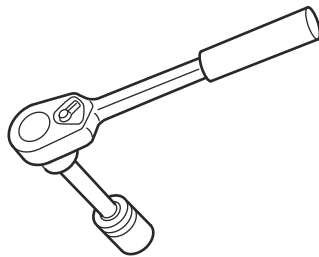
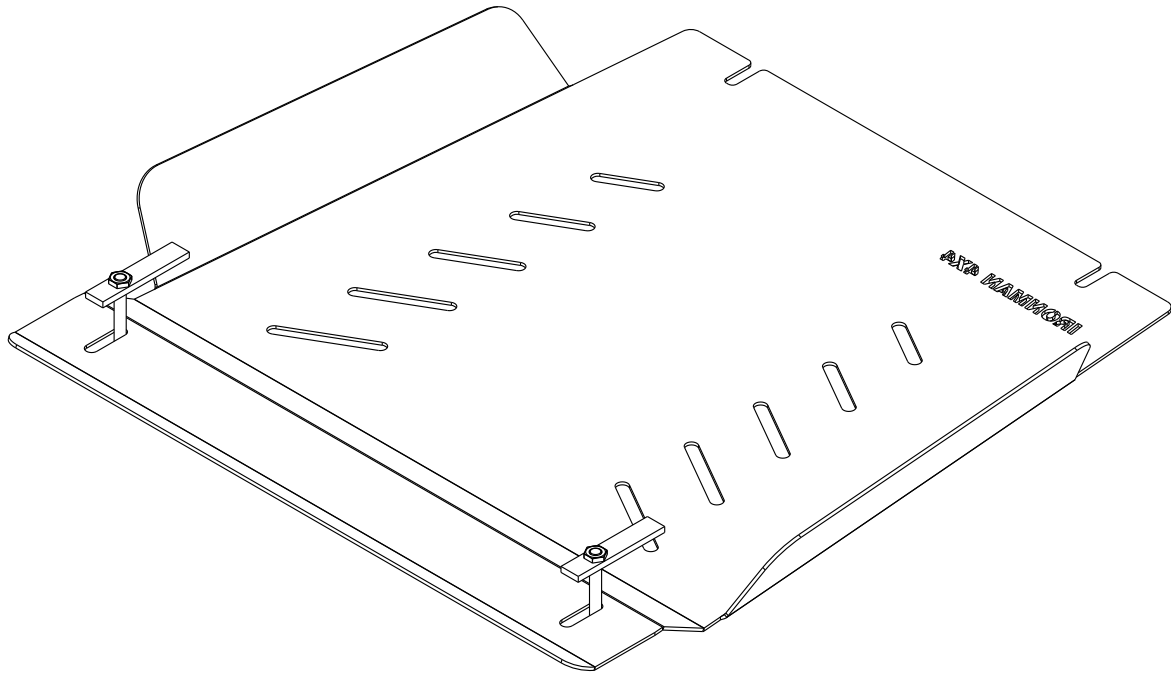
1/6



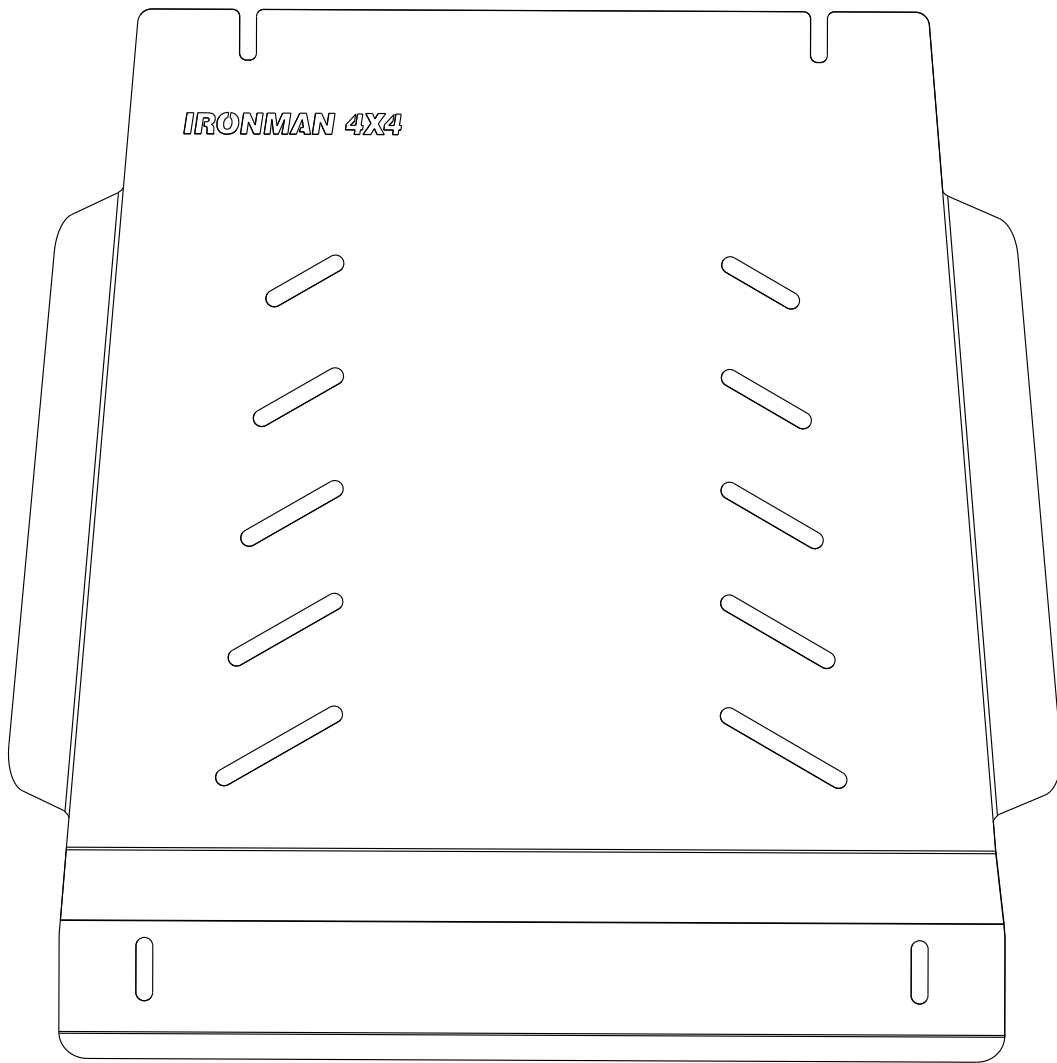
Location/Position Arrow



Movement Arrow

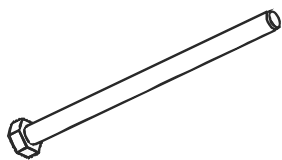


A



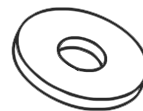
1X

B



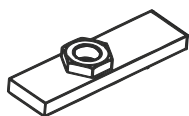
2X

C



2X

D

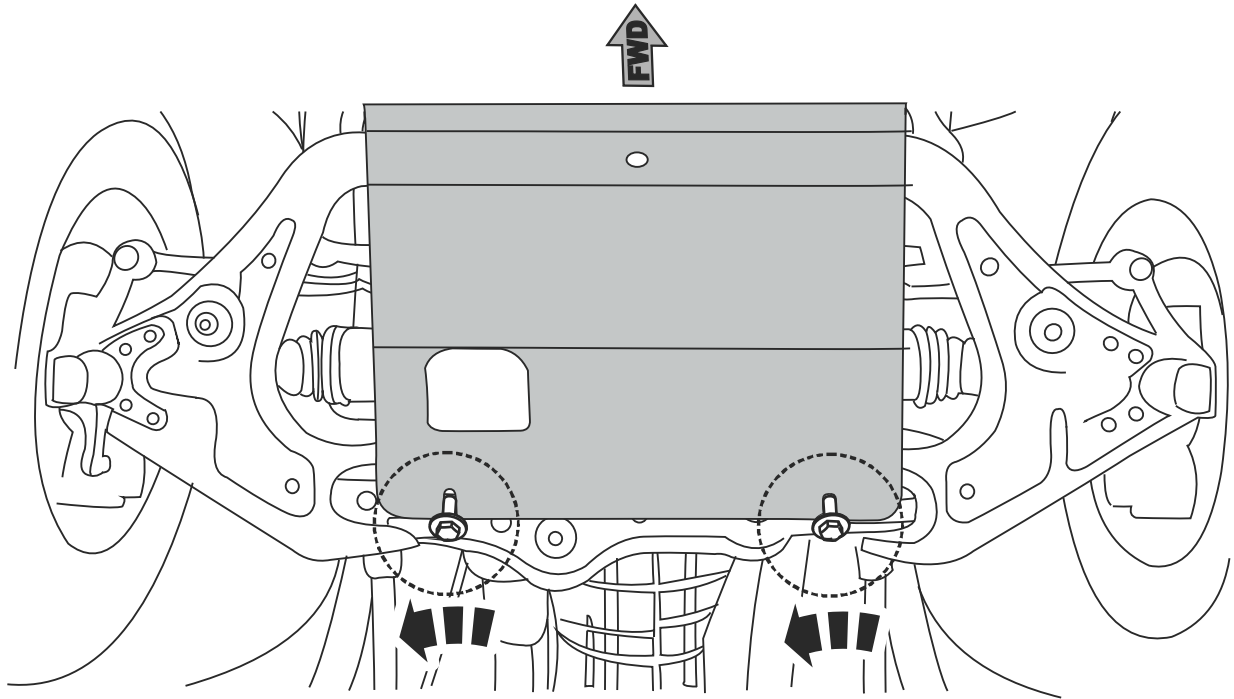


2X

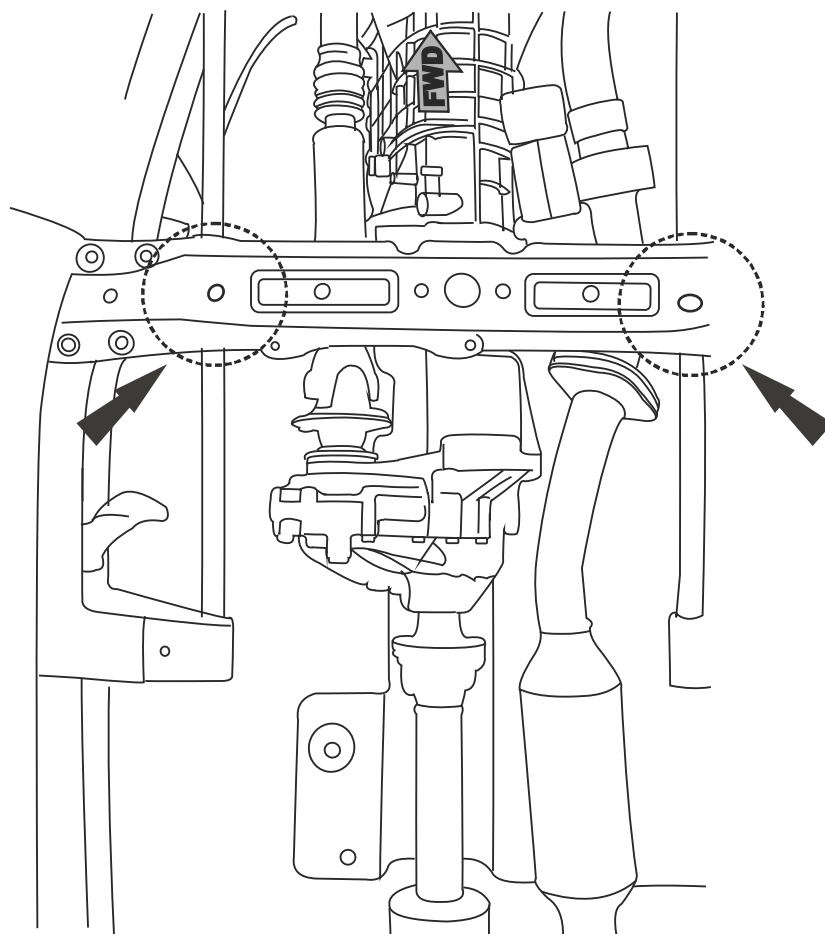


IUP008T

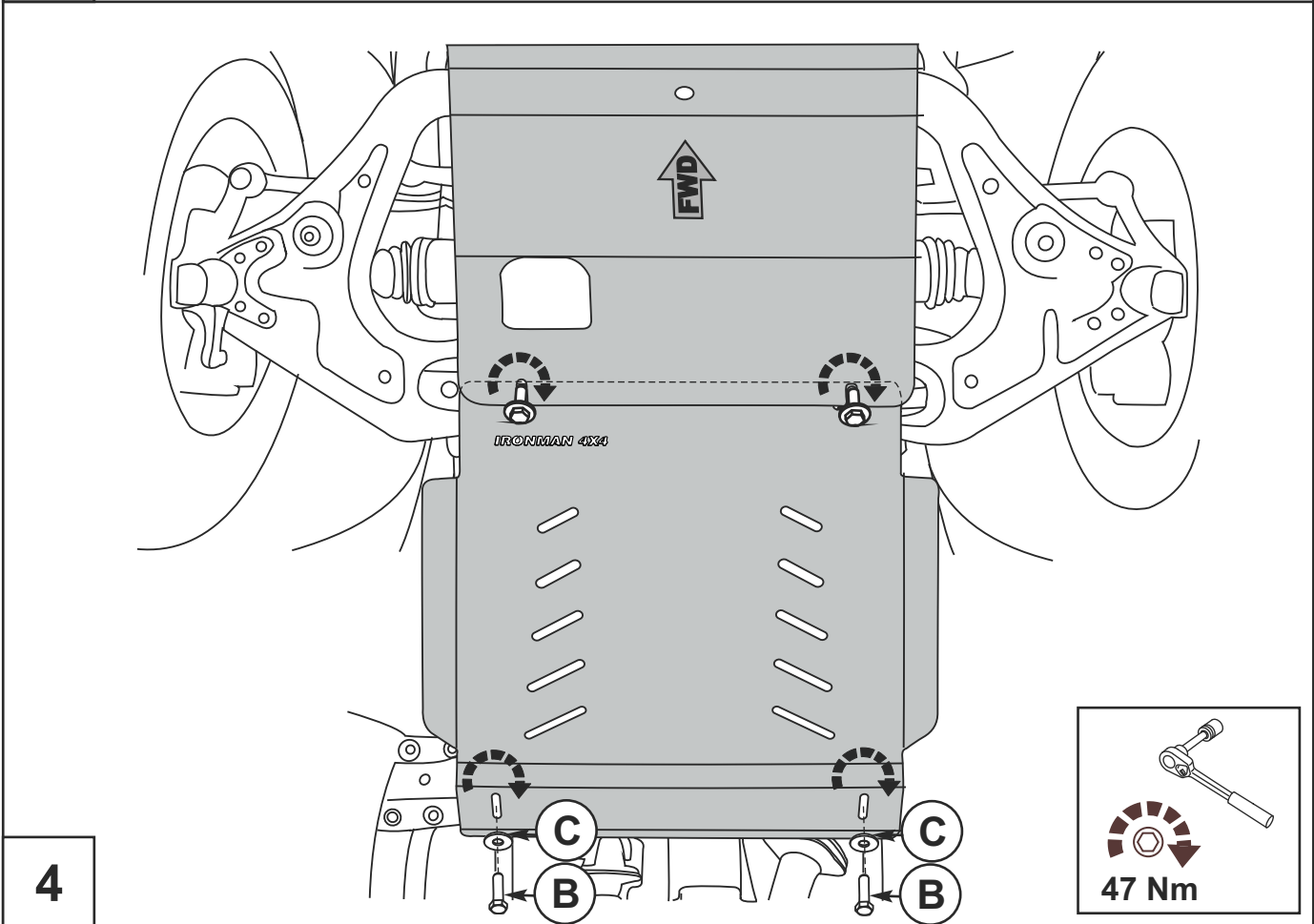
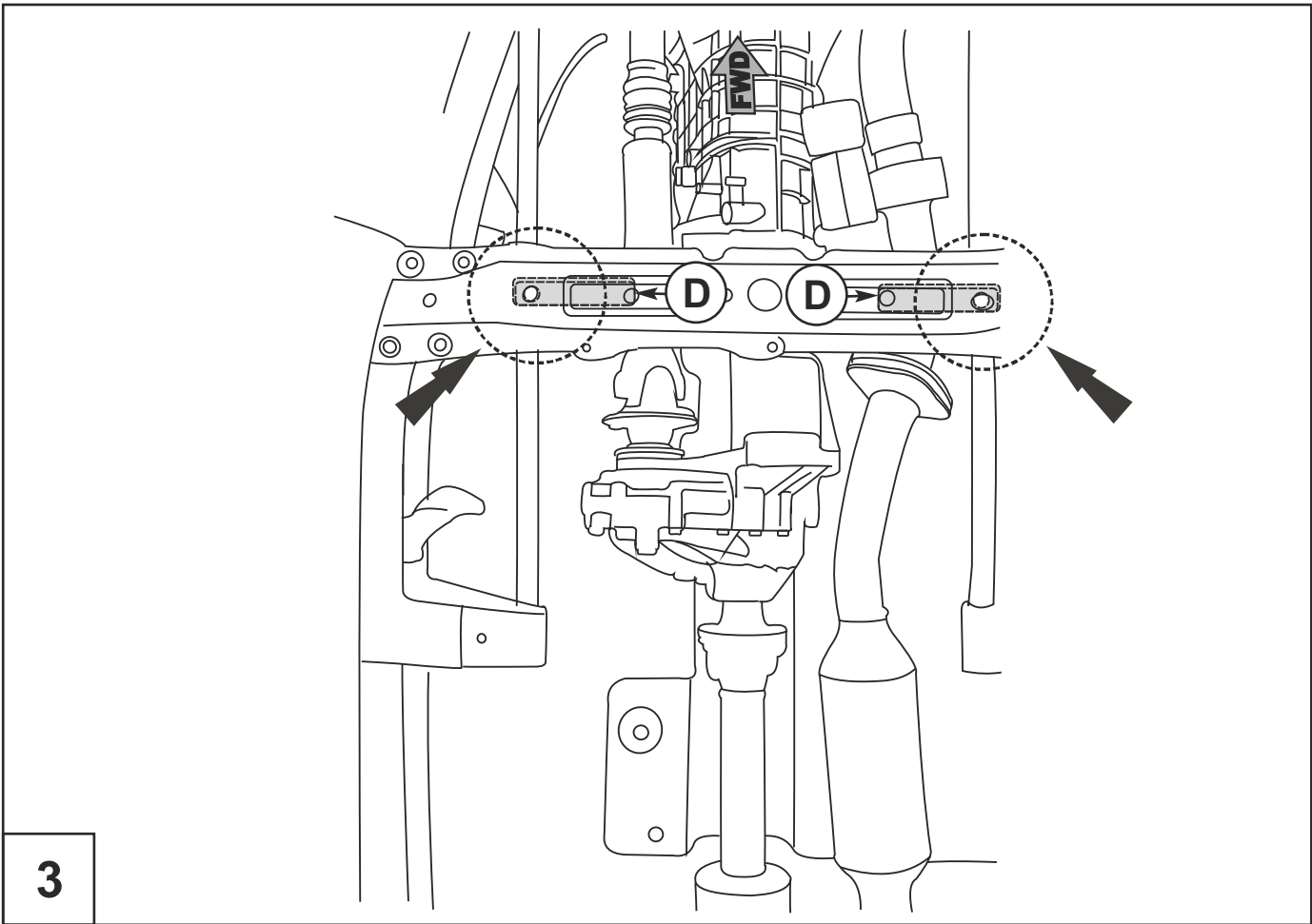
3/6

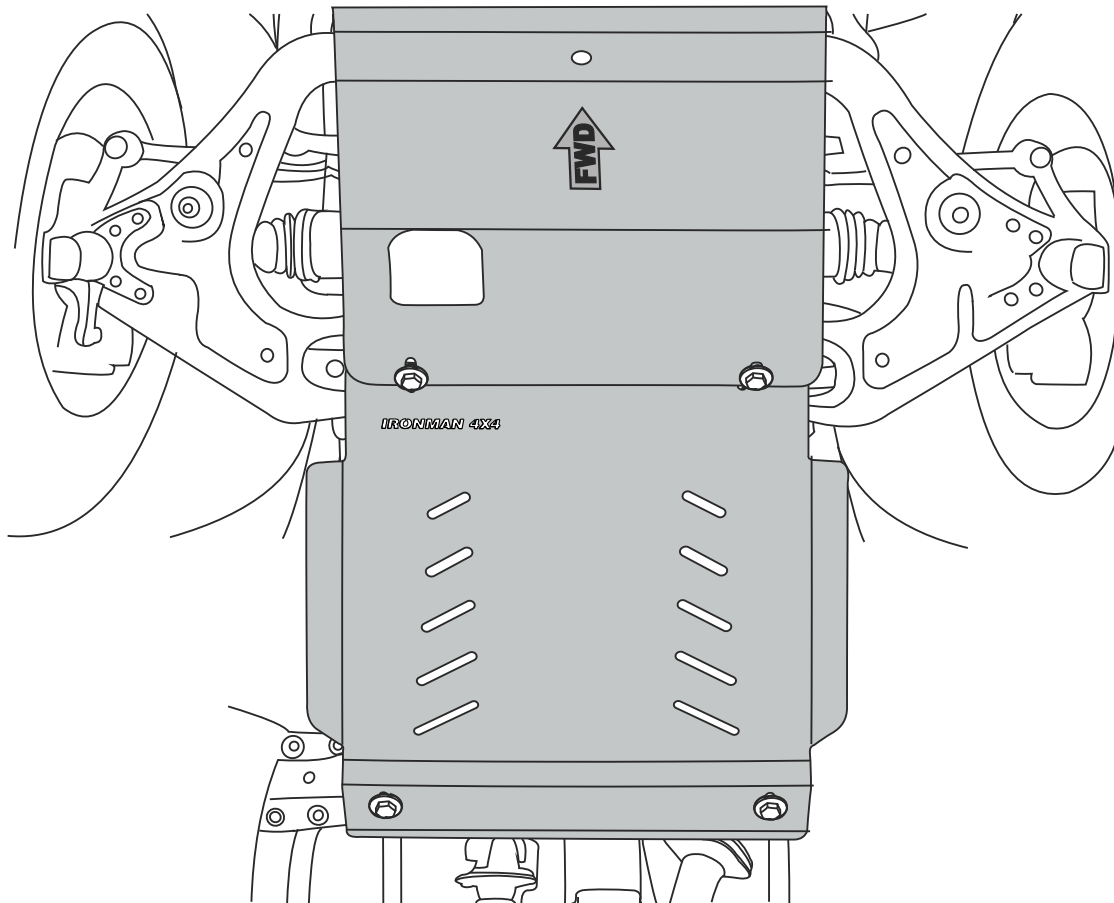


1



2





5

www.ironman4x4.com



IUP008T

6/6