



INSTALLATION GUIDE

BBT045/ BBC045/ BBCD045

NW PAJERO
(2011 -)



- Ironman 4x4 BBT/ BBC/ BBCD045 Bull Bars fit to a NW Pajero.
- It will take about 3 hours to install.

NOTE: This product has been tested for air bag compatibility and therefore the mounting system **MUST NOT** be modified

IMPORTANT: Bull Bar installations should only be done by a qualified person and it is the responsibility of this person to ensure correct fitment.

1. Before installation check bull bar application is compatible with your vehicle.

2. Remove number plate and grill and radiator protection plate and store in a safe place for later re-fitment.

3. Locate and cutout cutting template at the end of this Instruction Guide.

4. Mask outer ends of bumper bar and place cutting template in position as shown.



5. Mark cut line and repeat for other side.



6. Carefully unclip flares from bumper.



7. Mask a cut line across the bumper from the lines previously marked, above the foglight openings and below the original numberplate mounting. Only make cut after removing bumper bar



8. Remove bumper bar.



9. Cut bumper bar to remove lower section.



10. If winch is being installed, remove section of bumper bracket as marked in photo



11. Place winch cradle in position on vehicle and secure in place with strengthening plates as shown (do not tighten)



12. Using strengthening brackets as a guide, drill through sub frame and secure in place using long bolts, washers and nuts provided and tighten all mounting hardware.



13. Re-fit top section of bumper bar and cut flares as shown. Install pinchweld.

If winch is being installed, refer to winch installation instructions, Pages 6 - 7



14. Unwrap bull bar. Check over riders and light assemblies are tight in bull bar before installation.

15. Fit bull bar to chassis brackets using M12 bolts, flat washers, spring washers and nuts provided.

16. Align bull bar with vehicle and tighten all bolts.



17. Once bull bar is aligned with vehicle and tightened, drill through pinning holes (circled in red) between bull bar and chassis bracket and secure with bolts, washers and nuts provided.



18. Connect park lights, indicators and fog lights as per wiring diagrams at the back of fitting instruction manual.

19. Fit protection plates underneath the bull bar using M8 bolts, spring washers and flat washers provided.



20. Trim guard liners and secure to radiator support panel with bolts and washers as shown.



Winch Installation

1. Before winch can be installed a section of the bumper bar will need to be removed. To do this, place winch on mounting cradle and mark bumper bar as shown.



2. Bolt winch to cradle with gearbox to the left hand side of vehicle and cable spooling from bottom of the cable drum using bolts and washers provided.



3. Bolt fairlead to recess in front of bull bar using bolts, washers and nuts provided.



4. Fit bull bar to vehicle referring to steps 12 - 17 of bull bar fitting instructions.

5. Mount control box in desired location.



6. Connect three colour coded cables to the corresponding poles on winch motor.



7. Connect the thin black earth wire and negative battery cable to the earth connection on the opposite side of winch motor.



8. Run the positive and negative battery cables into the engine bay taking care to secure cables away from any sharp or moving objects.

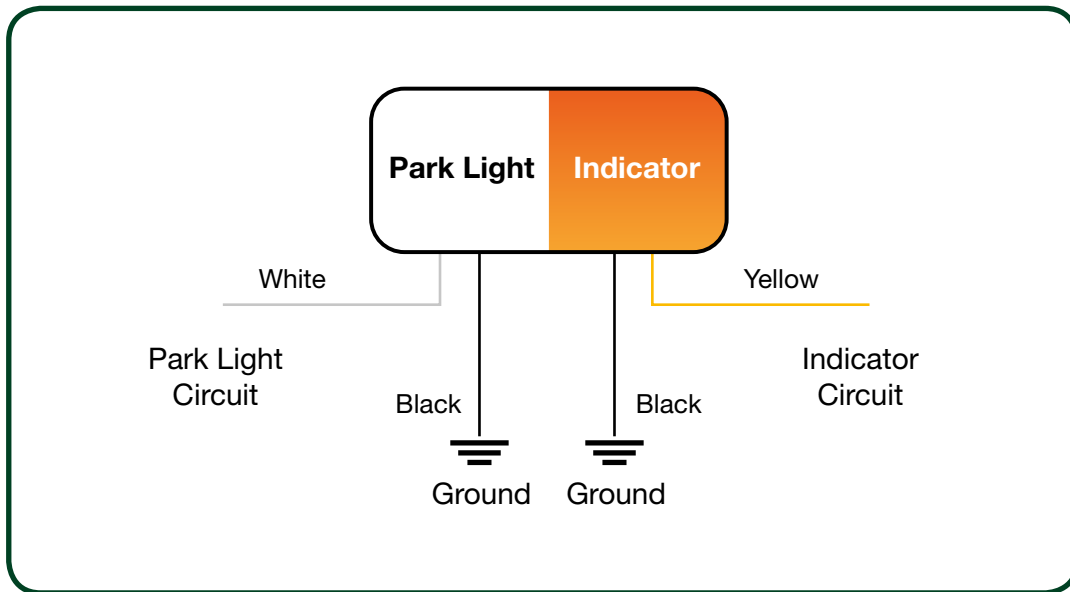
9. Connect positive and negative battery cables main battery of vehicle (Not Auxilliary Battery).

9. Attach breather hose to barb fitting on winch motor. Run hose to the highest available point in engine bay and cable tie in position. Cable tie hose away from any sharp, hot or moving objects.

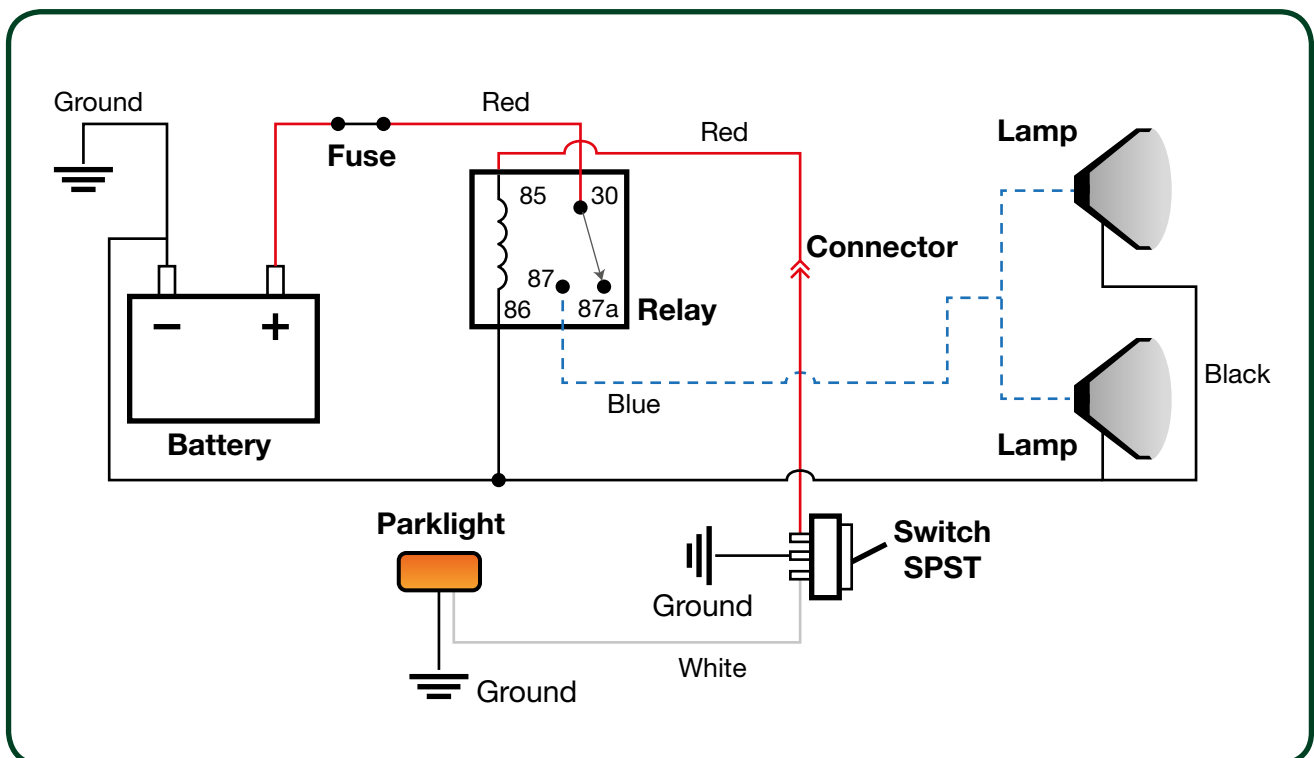


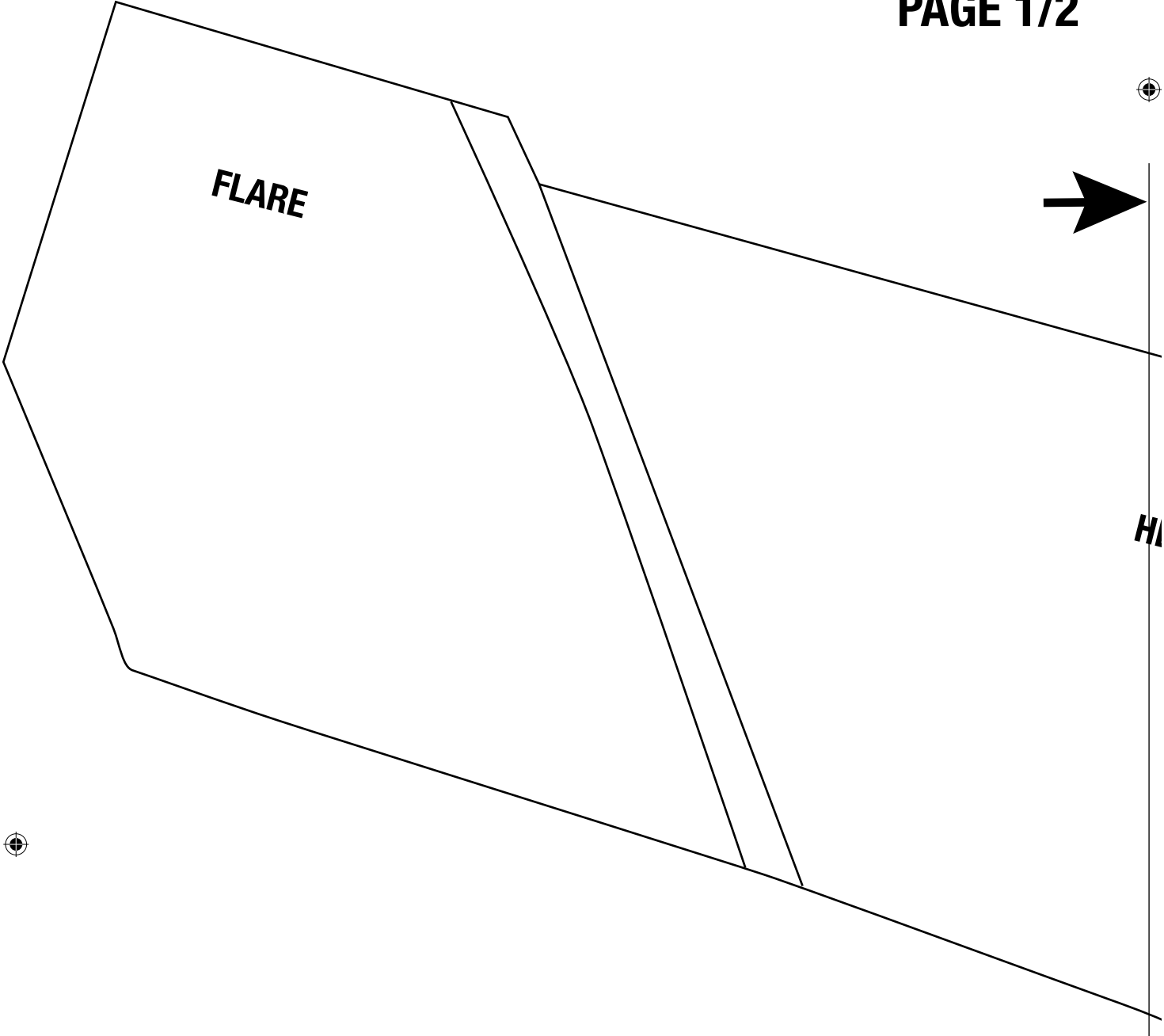
Wiring Diagrams

PARK LIGHT & INDICATOR



FOG LIGHTS



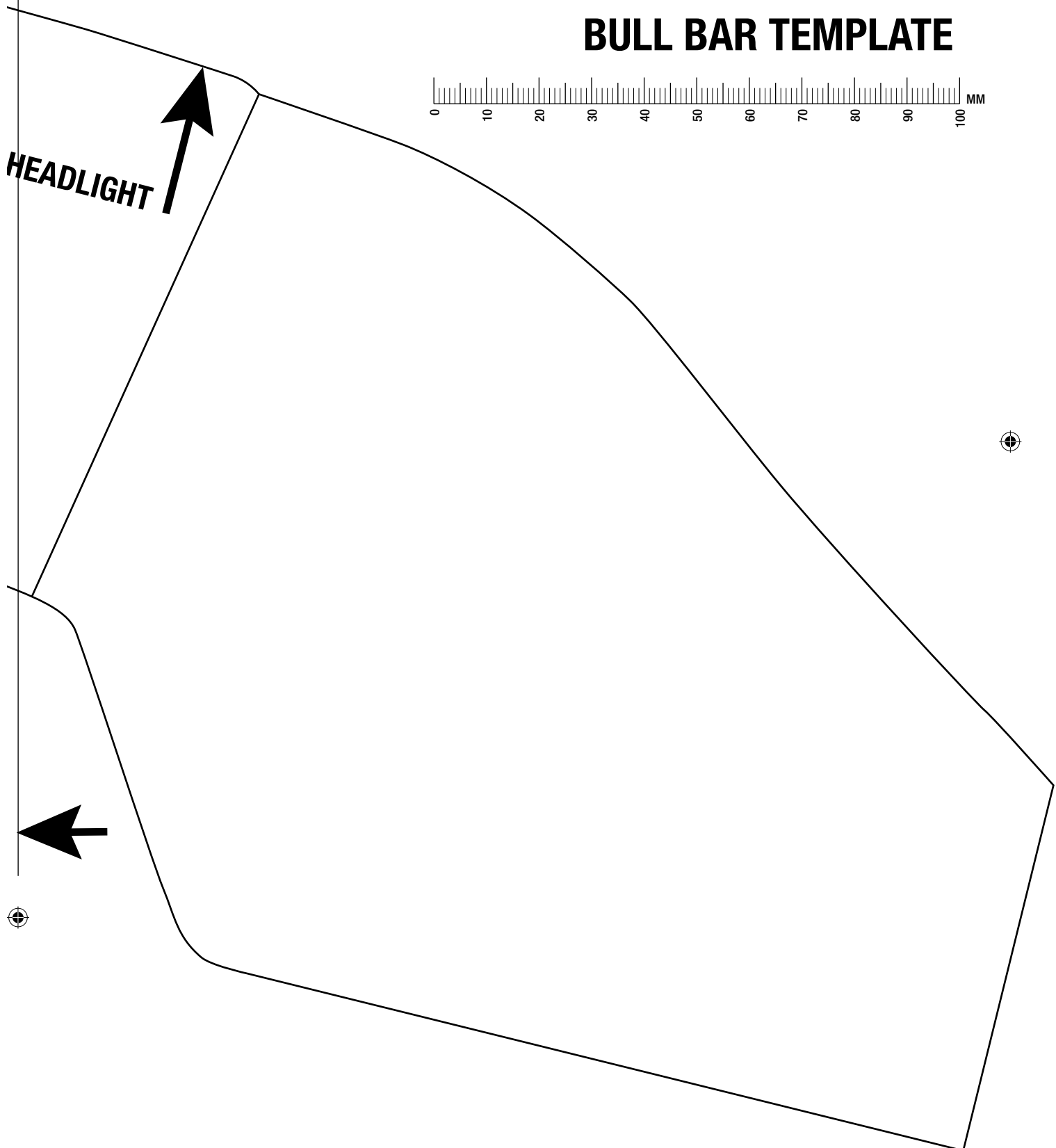


**NW PAJERO 2011 -
BBT045/ BBC045/ BBCD045
BULL BAR TEMPLATE**





**NW PAJERO 2011 -
BBT045/ BBC045/ BBCD045
BULL BAR TEMPLATE**



HEADLIGHT