



AUTO HEADLIGHT ON KIT

Lights On Keys On 12V / 24V

Overview

The Auto Headlight On Kit is a 12V/24V system for autonomously activating your cars Headlights whilst your vehicle is running. This increases your cars visibility to other drivers and pedestrians.

Daytime Running Lights (DRL) and other daytime headlight activation systems have become a new standard feature in most European countries. This is because studies have shown that DRL and driving with your headlights active during the day can reduce up to 28% of fatal car accidents.

Operation is achieved by 3 x 30A microprocessor controlled relays (that can be wired for either ground or positive switching circuits) which are wired into your vehicles existing wiring and take control of your headlights.

With features that include:

- Lights on when vehicle ignition is switched on.
- 10 Second delay at ignition to reduce battery starting load.
- Delay on exit. When the ignition is turned off the lights will stay illuminated for 10 seconds.
- Parking/Tail light functionality.
- Override function.
- Custom delay time and Voltage cutout (Custom settings must be advised on order and are factory set. Conditions Apply).

Installation

Refer to the wiring diagram on the reverse for the style of wiring that exists in your vehicle either positive or negative switching. These wiring diagrams are for reference only. For exact wiring specifications for your model of vehicle, please consult a professional Auto Electrician or similar for wiring advice.

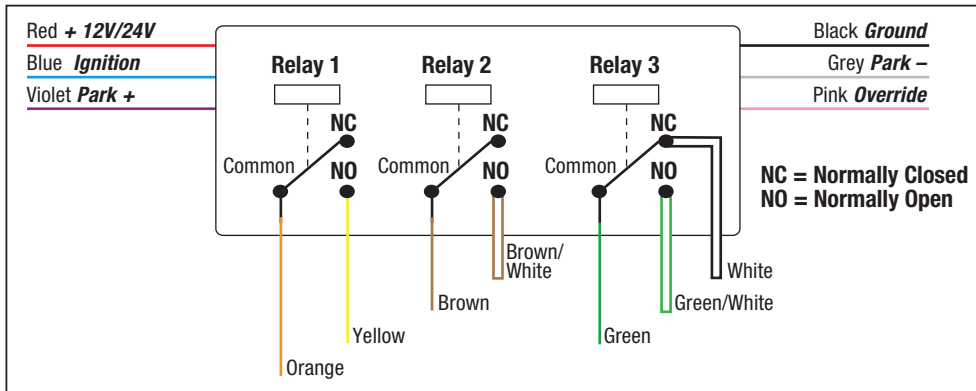
Optional Override This can be installed to a switch in the vehicle that is negatively switched (i.e Handbrake, Door Switch) to turn off the vehicle lights when activated.

Warranty Conditions: Our products come with guarantees that cannot be excluded under the Australian Consumer Law. The customer is entitled to a replacement or refund for a major failure and compensation for any other reasonably foreseeable loss or damage. The customer is also entitled to have the products repaired or replaced if the products fail to be of acceptable quality and the failure does not amount to a major failure. Ironman 4x4 warrants that its products will, under normal use and service, be free of defects in material and workmanship for a period of two (2) years from the date of the original purchase by the customer as marked on the customer's original invoice. Please refer to our website for full warranty information which can be found at <http://www.ironman4x4.com/warranty-terms>

AUTO HEADLIGHT ON KIT

Lights On Keys On 12V / 24V

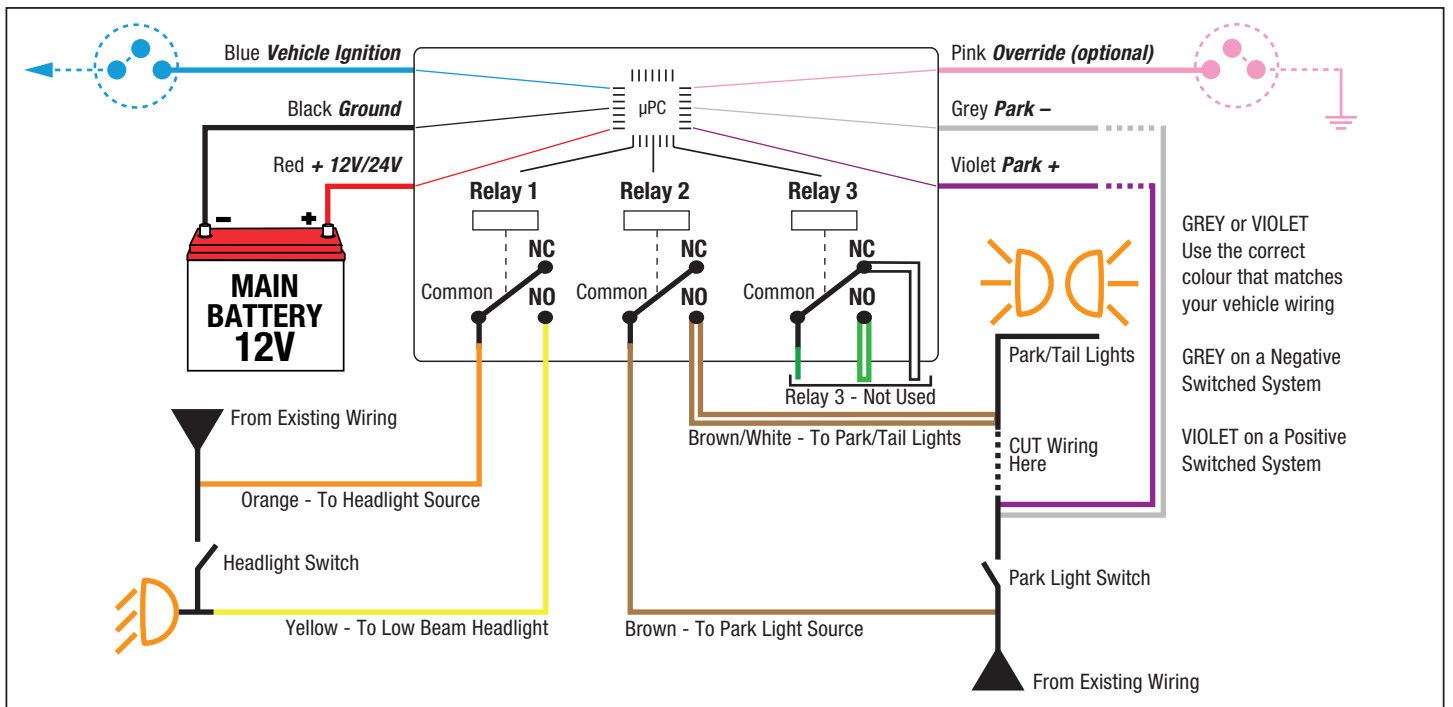
Internal Relay Layout



Unit Operates as Follows

	Relay 1	Relay 2	Relay 3
When the ignition is connected, the unit will connect all 3 Relays after 10 seconds	Green	Green	Green
If park light switch is turned on, Relay 1 and 3 will disconnect and Relay 2 will remain connected	Red	Green	Red
If the override is connected, all 3 Relays will disconnect	Red	Red	Red
If the parking light switch is turned on, then the override is connected and Relay 2 will stay connected	Red	Green	Red

Standard Low Beam Installation Wiring Guide



NOTES:

All unused connections should be taped up and secured out of the way. Using a test light, establish whether the vehicle has negative or positive switching and connect wiring before headlight switch as per the wiring diagram above.