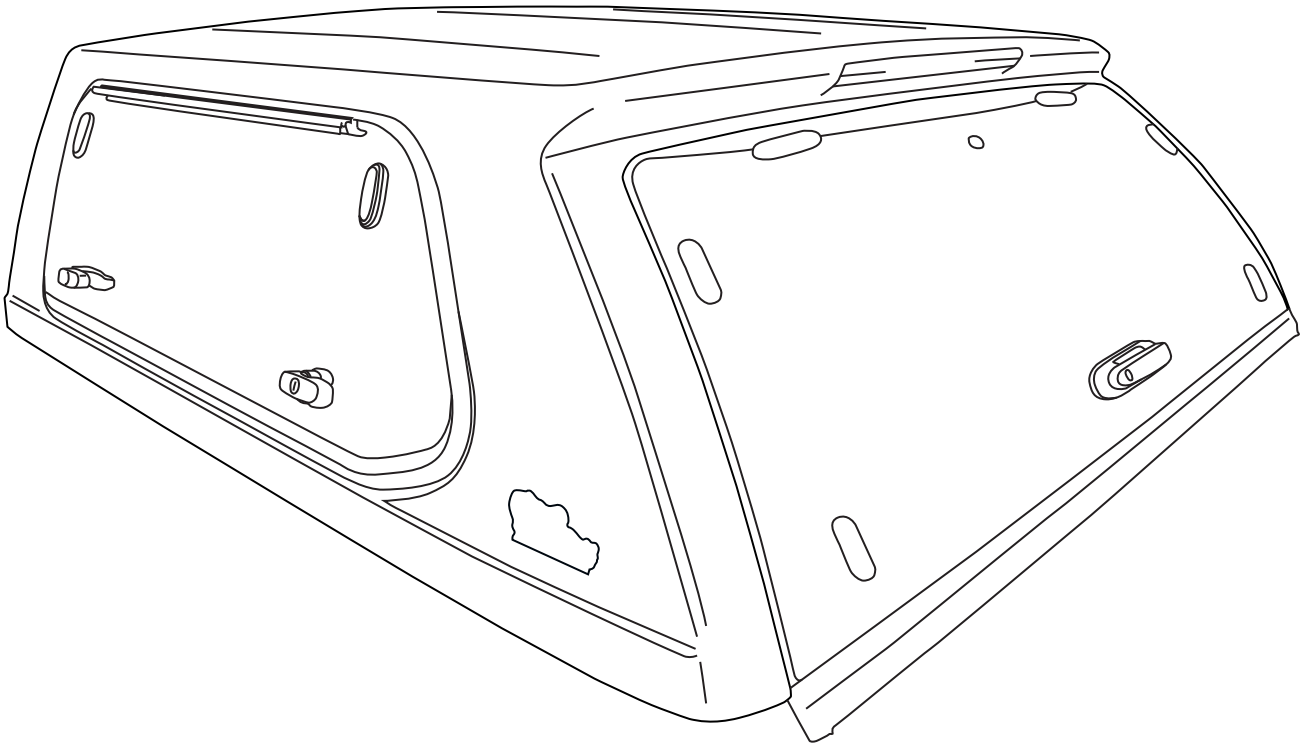


# INSTALLATION GUIDE



## PINNACLE 2

FIBREGLASS CANOPY RANGE

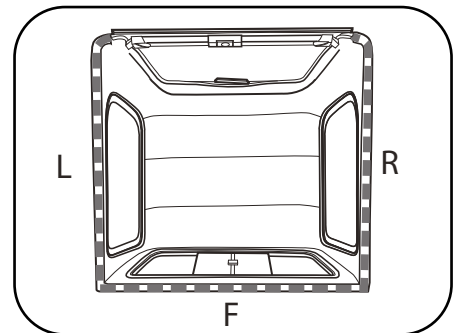
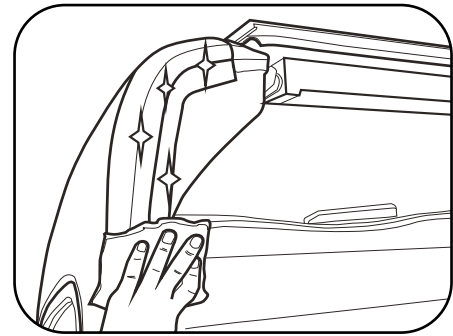


CANFIBREXX/280521

***NOTE: Although Ironman 4x4 take every possible measure to prevent water and dust from entering the cargo area, we cannot be held accountable for holes and gaps in your factory tub***

1. Make sure your canopy part number is compatible with your vehicle.

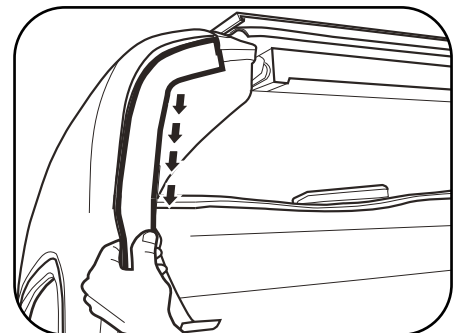
2. Clean the canopy's bottom surface on all 3 sides. (Left, Right, and Front)



3. (a) If supplied, install tub strengthening brackets.

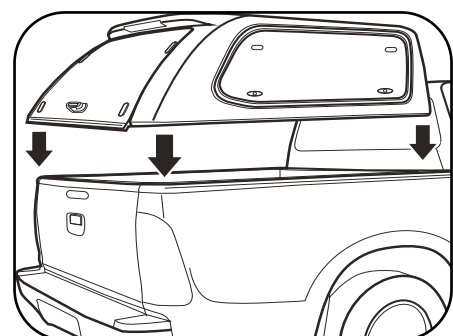
(b) If applicable to your vehicle, remove sports bars, ladder rack, hard lid, tonneau and any associated mounting bracketry.

4. Attach the sponge seals (bottom) on the cleaned surface.

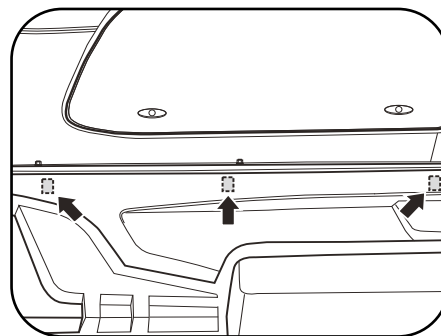
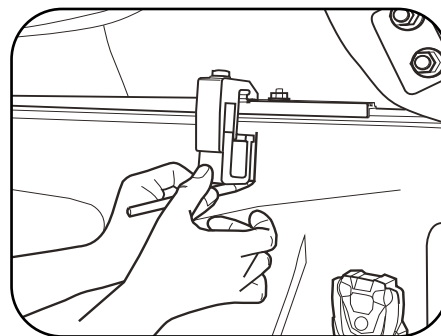


5. Place the canopy on the tub.

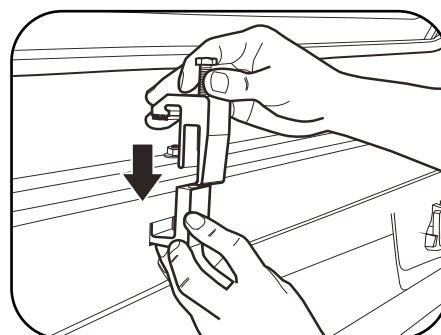
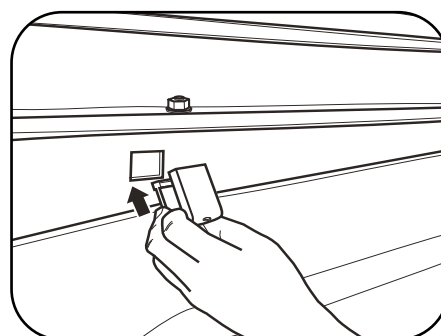
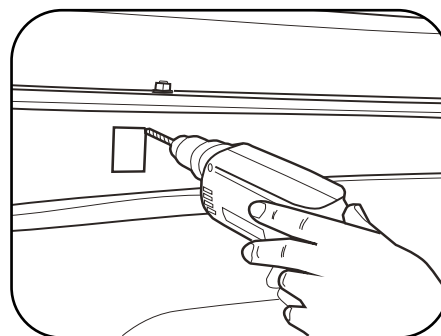
**If your vehicle does not have a tub/bed liner, proceed to Step 8.**



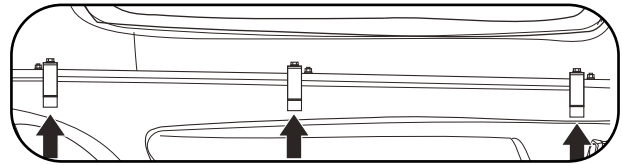
6. Mark clamp positions on the bed liner with marker.



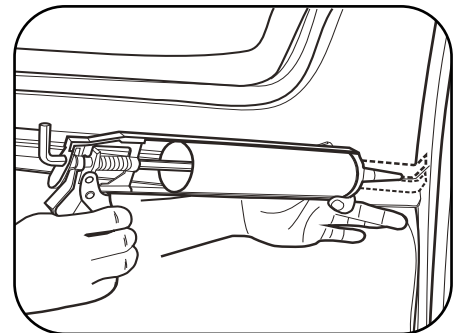
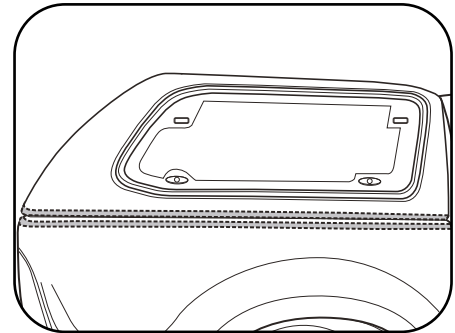
7. Make a hole at marked positions. Insert the lower part of C-Clamp into a hole then put the upper part onto the lower part.



8. Install 3 C-Clamps on each side.



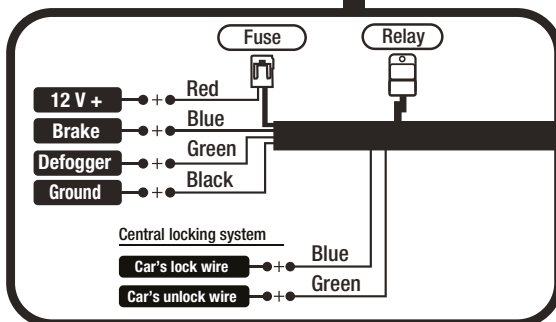
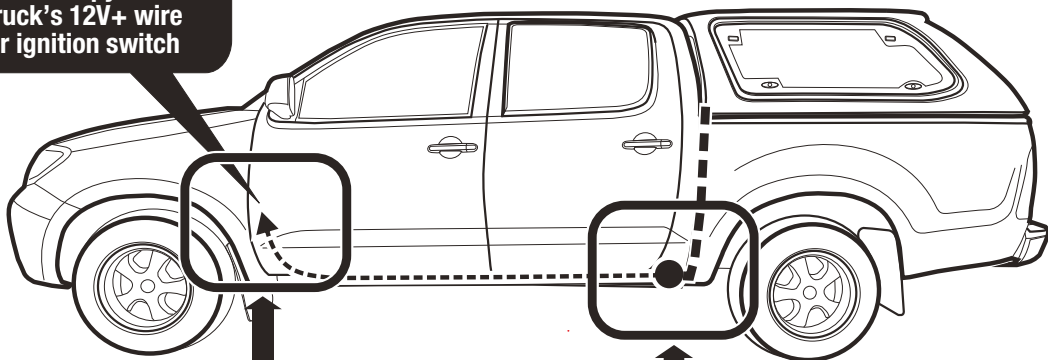
9. (Optional) Put the masking tape along the canopy and tub sides (or bed liner). Apply a silicone sealant.



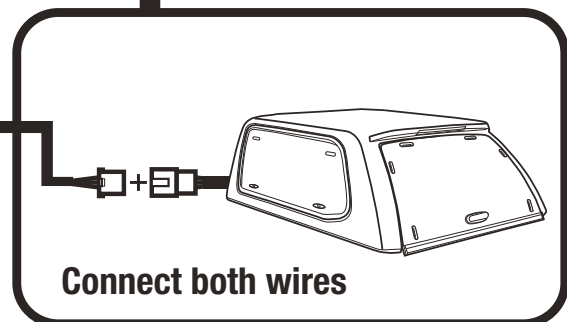
## Wiring Diagrams

Connect canopy's wire to truck's 12V+ wire near ignition switch

*Vehicle specific wiring instructions can be accessed online*



Installation Kit Wire



Connect both wires

Canopy Wire

